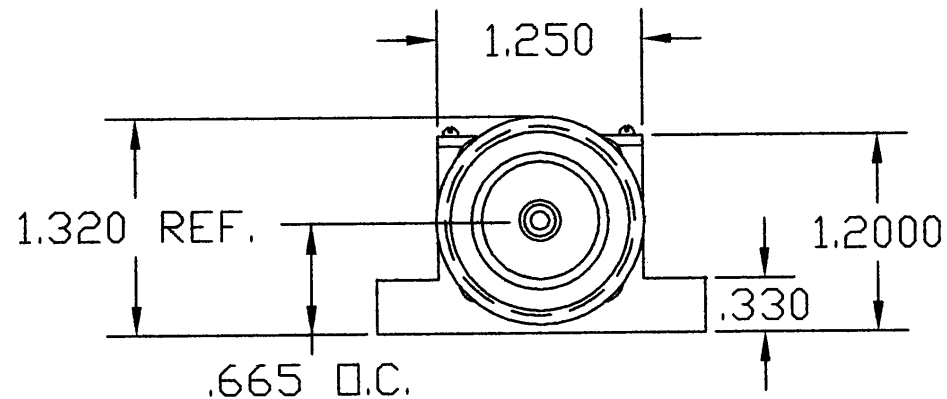
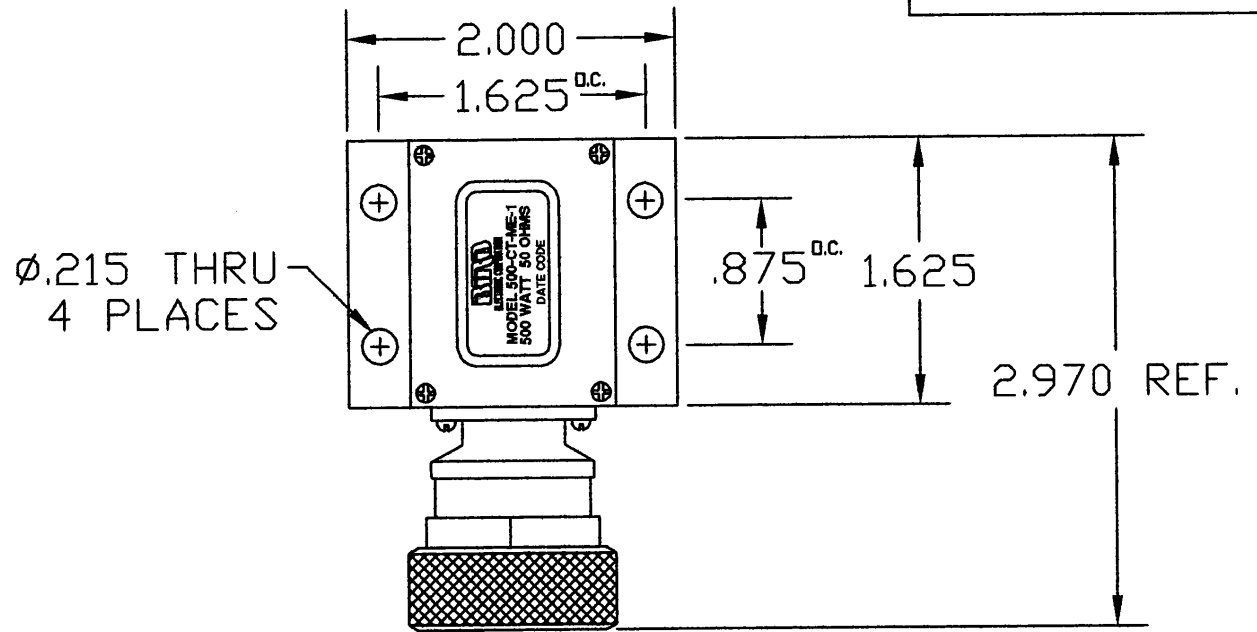


PART NUMBER
500-CT-ME-1



SPECIFICATIONS:
 POWER: 500 W AVG. - 2KW PEAK
 - WHEN MOUNTED TO A HEAT SINK
 CAPABLE OF MAINTAINING THE
 BASE AT OR BELOW 100°C
 FREQUENCY RANGE: DC TO 1GHz
 DC TO 1GHz AT 1.15:1 MAX.
 1GHz TO 3GHz AT 1.30:1 MAX.
 CONNECTOR: 7/16 EIA MALE
 FINISH: BODY-SILVER OR TRI-ALLOY PLATED
 CONNECTOR - SILVER OR TRI-ALLOY PLATED

NOTE: THIS UNIT DESIGNED TO PROVIDE CLEARANCE
 TO THE BASE FOR THE MATING 7/16 EIA CONNECTOR

UNLESS OTHERWISE SPEC-
 IFIED TOLERANCES ARE
 XX = +/- .015
 .XXX = +/- .005
 SCALE
 DIM. ARE IN INCHES
 APPROVED BY *[Signature]*
 DATE 8-19-02

BIRD COMPONENT PRODUCTS INC.			
DESCRIPTION		CONDUCTION COOLED TERMINATION, 500W, 7/16 MALE	
DWG. BY	DATE	PART NUMBER	REV.
DMD	8-19-02	500-CT-ME-1	